



atlantic blowers



Regenerative Blowers

# Atlantic Blowers – Regenerative Blowers

Atlantic Blowers Regenerative Blowers are available in either single stage, or double stage configurations. Single stage refers to the blower having one impeller and double stage refers to the blower having two impellers. Atlantic Blowers Regenerative Blowers are made with the utmost quality. The impeller is directly connected to the motor shaft, therefore eliminating any need for pulleys and belts.



## Available Options:

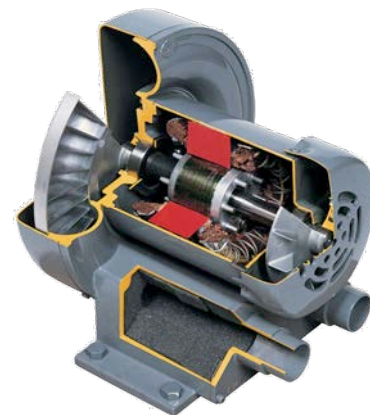
**EX (Explosion Proof) Series** - featuring explosion-proof construction, heavy duty cast aluminum manifolds; spark resistant housings, covers, impellers, muffler towers, and seals; Teflon lip seals; and explosion-proof motors. (Class 1 and Class 2 explosion proof motors available in either direct drive, or belt drive configurations)

**BS (Bare Shaft) Series** - featuring the same explosion-proof construction as the EX series with the added benefit of an externally driven operation.

**CC (Chemical Coated Regenerative) Series** - featuring EX explosion-proof designs with chemically corrosion resistant treatments, and/or chemical duty motors.

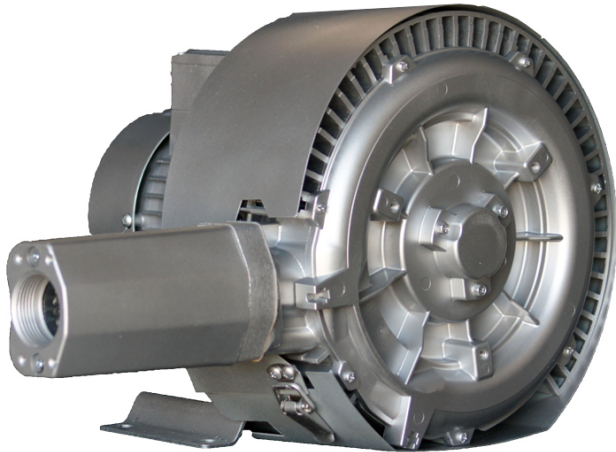
## Features & Benefits:

- ✓ 50/60 Hz Motors are standard, offering a wide voltage range.
- ✓ Blowers are made of Cast Aluminum Alloy for reduced weight, maximum strength and corrosion resistance.
- ✓ Built in thermal protectors for overload protection are standard.
- ✓ Double shielded stainless steel sealed bearings are standard.
- ✓ High quality shaft oil seals are standard between the impeller & bearings for protection against air contamination.
- ✓ Anodizing for corrosion resistance is available.
- ✓ Retrofit bases & flanges are available to match differing dimensional requirements.
- ✓ Gasoline driven units are available for remote locations.
- ✓ Pre-assembled blower packages/kits available for both pressure & vacuum applications.
- ✓ Hermetically sealed blowers are available.
- ✓ Tighter tolerances between the impellers and housing increase flow and pressure efficiency.



## Advantages

- ✓ Oil free air
- ✓ Low acoustical noise levels (51-84db)
- ✓ Light weight compact design
- ✓ Virtually maintenance free operation
- ✓ Efficient electricity consumption
- ✓ Trouble free installation (Can be mounted horizontally and vertically)
- ✓ Sealed industrial duty bearings (Low maintenance)
- ✓ Direct drive
- ✓ Rugged industrial duty construction



## Operational Performance:

Air flow: 18 CFM to 1519 CFM

Pressure: 22" H2O to 313" H2O

Vacuum: 21" H2O to 236" H2O

## Operational Principles:

The impeller rotates inside the blower housing, pulling air in through the inlet, or vacuum side. The impeller then accelerates the air or gas inside the housing until it is fully pressurized, and discharges it through the exhaust outlet, or pressure side.

## Applications:

- Wastewater Treatment Aeration
- Tank Aeration (Fish Pond Aeration)
- Pneumatic Transport of Powders and Solids
- Landfill Gas Evacuation and Collection
- Groundwater Sparging
- Air Knife Drying and Blow Off
- Soil Vapor Extraction
- Vacuum Lifting
- Gasoline Vapor Recovery
- Vacuum Hold Down
- Lagoon Gas Recovery
- General Parts Drying
- Material Handling

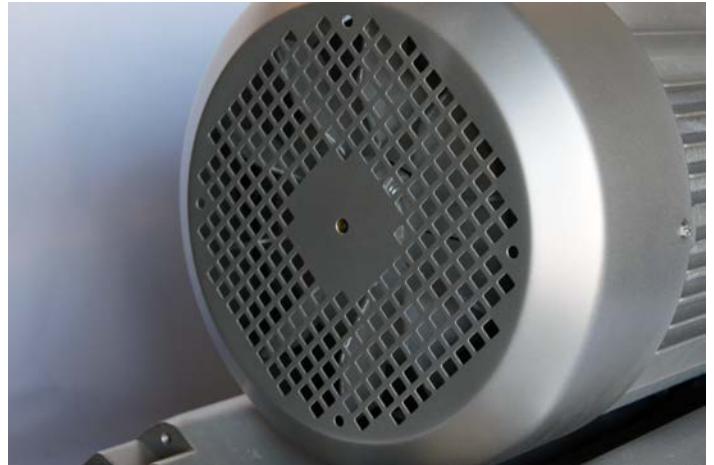


## Additional Products and Services:

- ✓ Explosion Proof Units –
  - Custom Belt Drive and Direct Drive available
    - Class 1 Division 1 (Gasses)
    - Class 2, Division 1 (Dust)
    - Other specifications also available, contact us to inquire
- ✓ Teflon Chemical Coating available for added chemical resistance
- ✓ Customized Belt-Drive Units available
- ✓ Anodization available for additional corrosion resistance
- ✓ Blower sealant available for leak resistance
- ✓ Custom Acoustic Enclosures
- ✓ Air Knife Drying Systems available

# ATLANTIC BLOWERS – Single Stage Regenerative Blowers

Phase	Model Number	Curve Number	KW	HP	Weight (lbs)	Flow (cfm)	Max Pressure ("H2O)	Maximum Vacuum	Sound Level (db)	Inlet Diameter	Voltage	Current (A)
1	AB-71	A1	0.12	0.16	12	18	22	21	51	1"	110-120/220-240	1.3/0.7
	AB-81	A2	0.18	0.25	15	25	28	28	53	1"	110-120/220-240	2.5/1.1
	AB-91	A3	0.24	0.33	15	35	44	29	55	1"	110-120/220-240	2.6/1.3
	AB-101	A4	0.4	0.50	25	64	60	52	61	1.25"	110-120/220-240	7.8/3.9
	AB-201	A5	0.75	1.00	35	110	56	56	64	1.5"	110-120/220-240	13/6.5
	AB-301	A6	1.5	2.00	57	110	80	72	70	2"	110-120/220-240	23.0/11.5
	AB-401	A7	2.2	3.00	70	155	110	79	75	2"	110-120/220-240	30.0/15.0
3	AB-70	A10	0.12	0.16	12	18	22	21	51	1"	220-275/380-480	0.9Δ/0.5Y
	AB-80	A11	0.18	0.25	15	25	28	28	53	1"	220-275/380-480	1.3Δ/0.7Y
	AB-90	A12	0.24	0.33	15	35	44	29	55	1"	220-275/380-480	1.6Δ/0.9Y
	AB-100	A13	0.5	0.67	24	64	64	60	61	1.25"	220-275/380-480	2.3Δ/1.3Y
	AB-200	A14	0.93	1.25	31	110	60	60	64	1.5"	220-275/380-480	3.9Δ/2.3Y
	AB-300	A15	1.5	2.00	49	155	79	68	70	2"	220-275/380-480	6.0Δ/3.5Y
	AB-400	A16	2.55	3.50	51	155	118	105	70	2"	220-275/380-480	7.0Δ/4.0Y
	AB-500	A17	2.55	3.50	68	230	88	88	70	2"	220-275/380-480	10.7Δ/6.2Y
	AB-600	A18	3.7	5.00	75	230	118	112	72	2"	220-275/380-480	13.5Δ/7.8Y
	AB-700	A19	4.6	6.00	82	230	134	133	72	2"	220-275/380-480	16.2Δ/9.3Y
	AB-800	A20	6.3	8.50	170	399	130	125	79	2.5"	220-275/380-480	24.0Δ/12.0Y
	AB-850	A21	7.5	10.00	185	464	134	129	80	2.5"	220-275/380-480	26.0Δ/13.0Y
	AB-900	A22	8.6	11.50	194	399	177	141	80	2.5"	220-275/380-480	29.0Δ/14.3Y
	AB-1000	A23	11	15.00	366	399	248	158	80	2.5"	220-275/380-480	37.0Δ/21.3Y
	AB-1100	A24	11	15.00	220	791	68	72	81	4"	220-275/380-480	37.0Δ/21.4Y
	AB-1200	A25	15.3	20.00	247	791	108	114	81	4"	220-275/380-480	51.5Δ/29.8Y
AB-1300	A26	22.7	30.00	351	791	169	150	81	4"	220-275/380-480	76.0Δ/44.0Y	

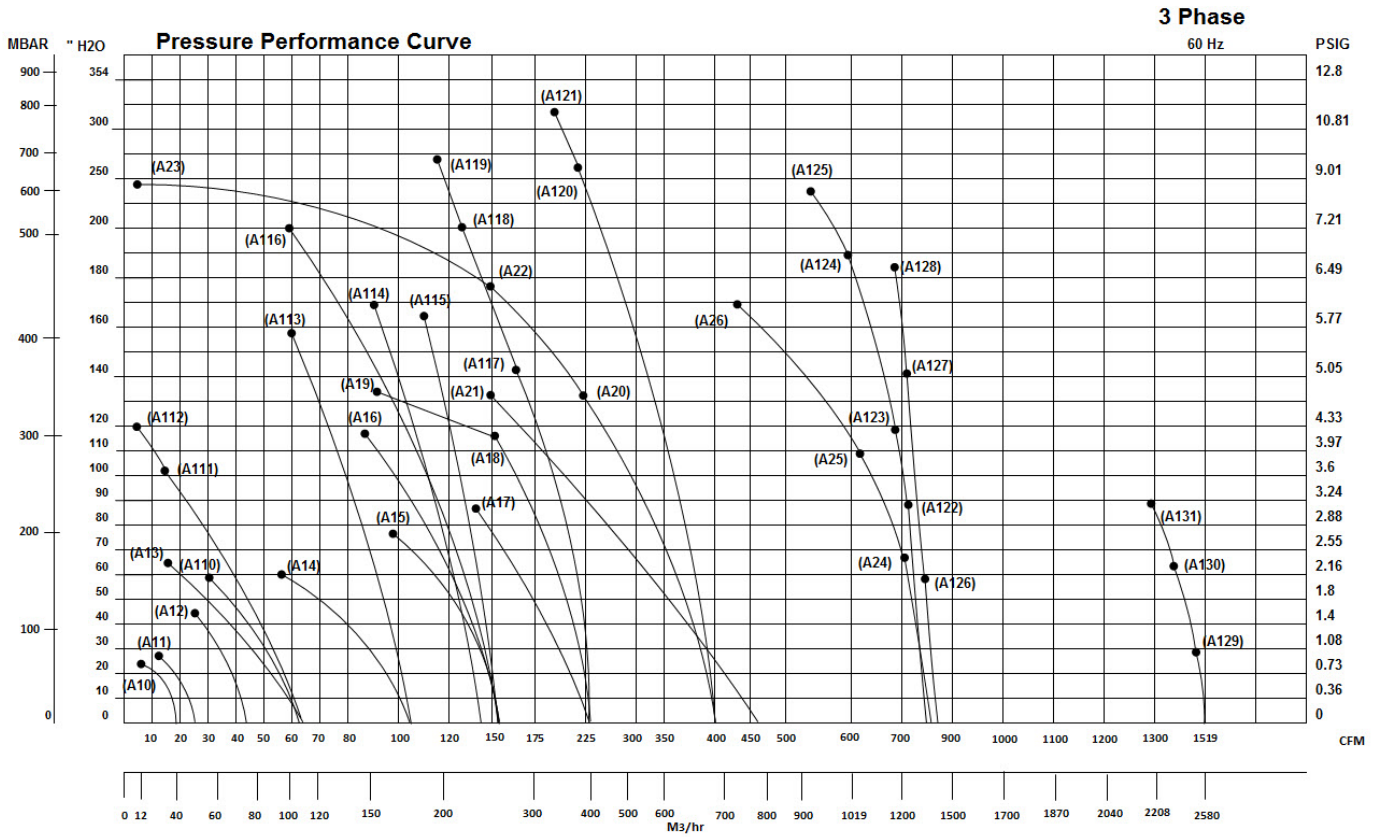


# ATLANTIC Double Stage Regenerative Blowers

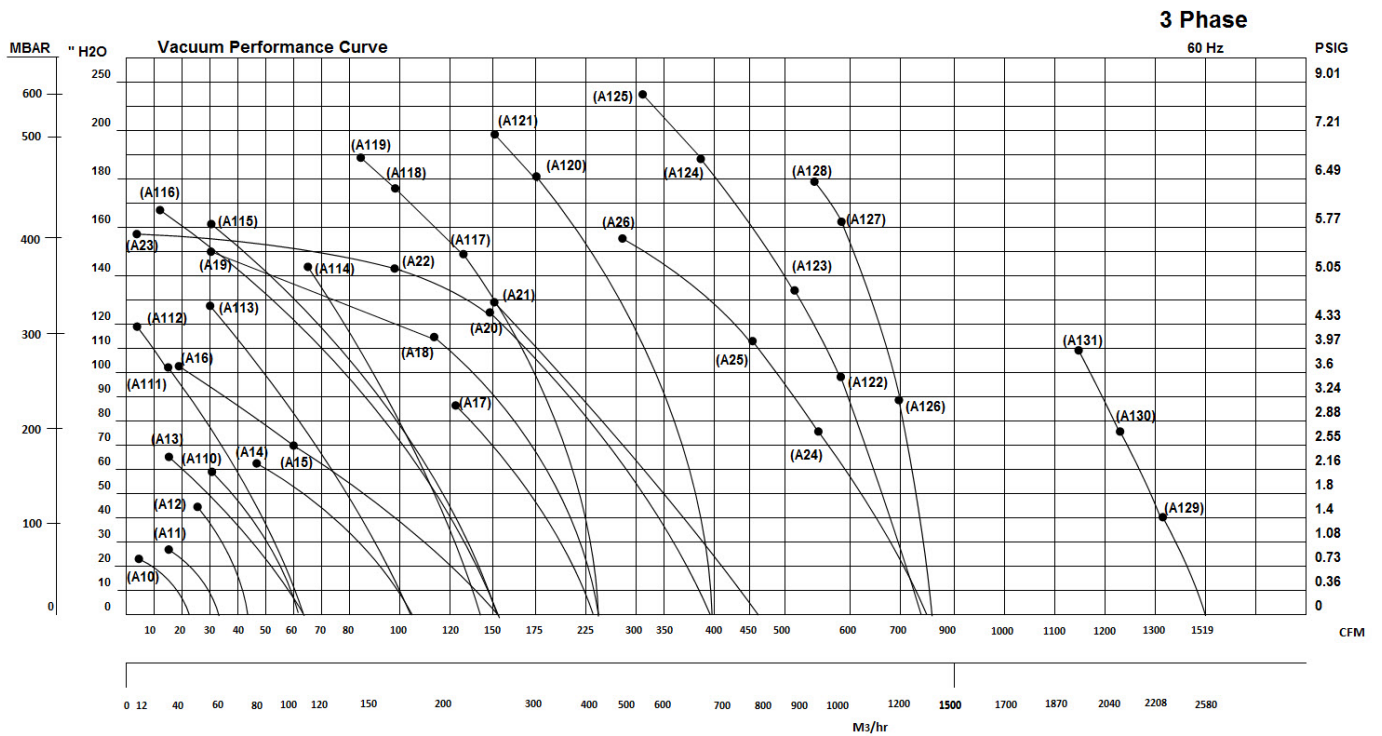
Phase	Model Number	Curve Number	KW	HP	Weight (lbs)	Flow (cfm)	Max Pressure ("H2O)	Maximum Vacuum	Sound Level (db)	Inlet Diameter	Voltage	Current (A)
1	AB-102/1	A100	0.4	0.50	37	58	59	40	68	1.25"	110-120/220-240	7.8/3.9
	AB-202/1	A101	0.75	1.00	37	64	101	101	68	1.25"	110-120/220-240	13.0/6.5
	AB-302/1	A102	1.1	1.50	63	113	118	110	68	1.5"	110-120/220-240	19.0/10.0
	AB-402/1	A103	2.2	3.00	63	113	138	110	69	1.5"	110-120/220-240	23.0/11.4
3	AB-102	A110	0.5	0.67	34	61	59	40	68	1.25"	220-275/380-480	2.3Δ/1.3Y
	AB-202	A111	0.85	1.20	37	64	101	101	68	1.25"	220-275/380-480	3.9Δ/2.3Y
	AB-302	A112	1.5	2.00	55	61	118	87	68	1.5"	220-275/380-480	7.0Δ/4.0Y
	AB-402	A113	2.55	3.50	62	113	158	129	69	1.5"	220-275/380-480	9.5Δ/5.5Y
	AB-502	A114	2.55	3.50	62	145	169	141	69	2"	220-275/380-480	9.5Δ/5.5Y
	AB-602	A115	3.7	5.00	88	155	166	161	74	2"	220-275/380-480	13.5Δ/7.8Y
	AB-702	A116	4.6	6.00	95	155	201	169	74	2"	220-275/380-480	16.2Δ/9.3Y
	AB-802	A117	4.6	6.00	121	230	141	150	79	2"	220-275/380-480	16.2Δ/9.3Y
	AB-902	A118	6.3	8.50	159	230	201	177	79	2"	220-275/380-480	24.0Δ/12.0Y
	AB-1002	A119	8.6	11.50	181	230	271	185	79	2"	220-275/380-480	29.0Δ/14.3Y
	AB-1102	A120	12.6	16.90	313	399	256	181	81	2.5"	220-275/380-480	52.0Δ/30.0Y
	AB-1202	A121	17.3	23.20	353	399	313	189	81	2.5"	220-275/380-480	76.0Δ/44.0Y
	AB-1302	A122	15.5	20.00	309	776	87	99	81	2.5"	220-275/380-480	52.0Δ/30.0Y
	AB-1402	A123	18.5	25.00	353	776	118	134	81	2.5"	220-275/380-480	76.0Δ/44.0Y
	AB-1502	A124	26.8	35.00	400	776	189	189	81	2.5"	220-275/380-480	82.0Δ/46.0Y
	AB-1602	A125	37	50.00	425	776	236	236	81	2.5"	220-275/380-480	90.0Δ/48.0Y
	AB-1702	A126	15	20.00	355	812	58	88	84	4"	220-275 / 380-480Y	51.5 / 29.8Y
	AB-1802	A127	22	30.00	405	812	141	161	84	4"	220-275 / 380-480Y	76.0 / 44.0Y
	AB-1902	A128	29	40.00	443	812	185	177	84	4"	220-275 / 380-480Y	92.0 / 53.2Y
	AB-2002	A129	15	20.00	408	1519	30	40	84	5"	220-275 / 380-480Y	51.5 / 29.8Y
AB-2102	A130	22	30.00	459	1519	64	76	84	5"	220-275 / 380-480Y	76.0 / 44.0Y	
AB-2202	A131	29	40.00	496	1519	88	108	84	5"	220-275 / 380-480Y	92.0 / 53.2Y	



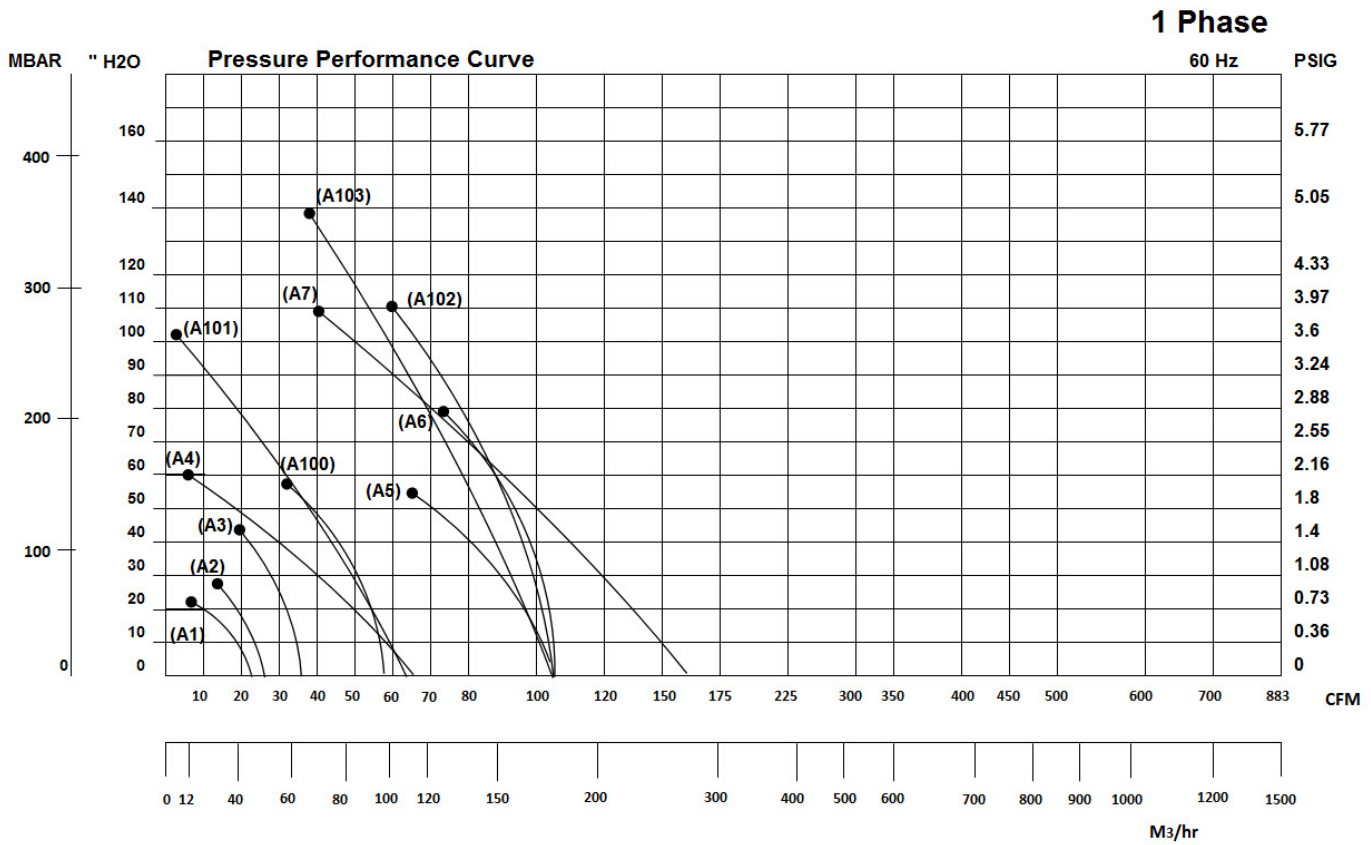
# Pressure Performance Curve ( 3 Phase )



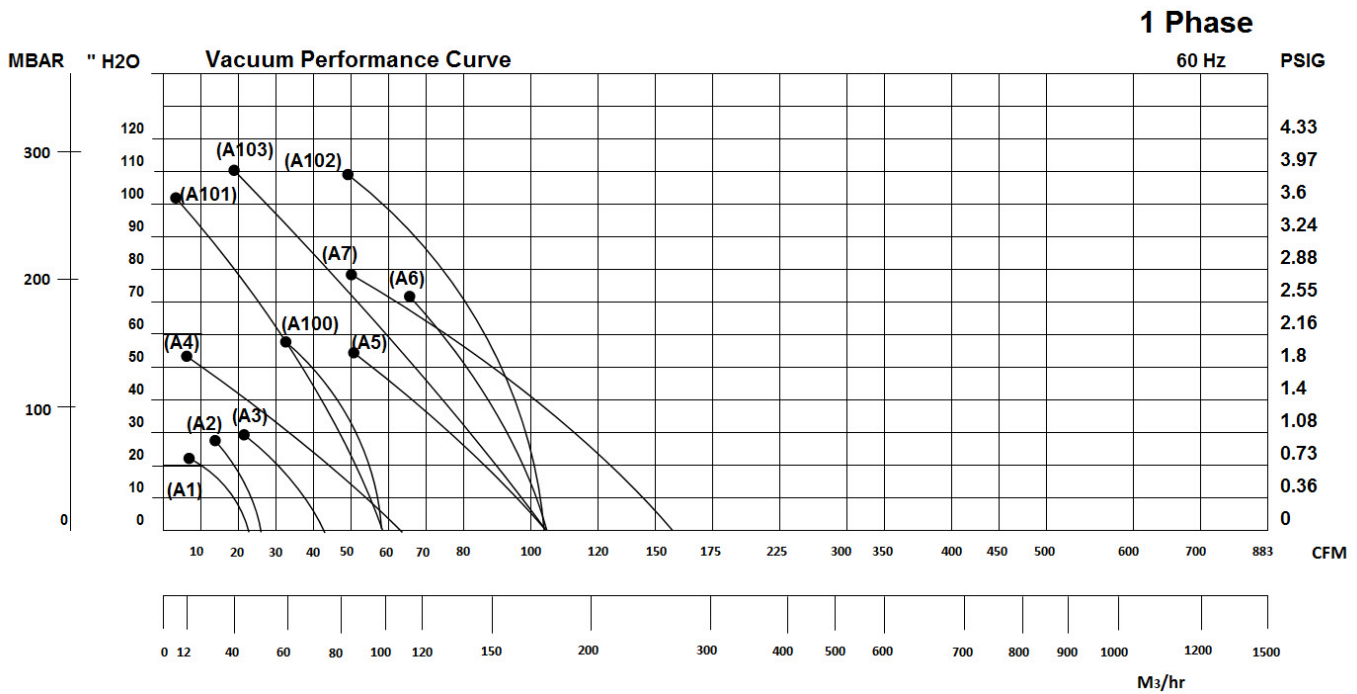
# Vacuum Performance Curve ( 3 Phase )



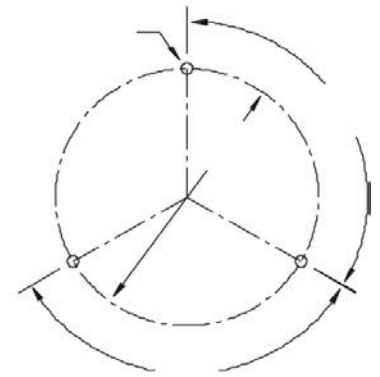
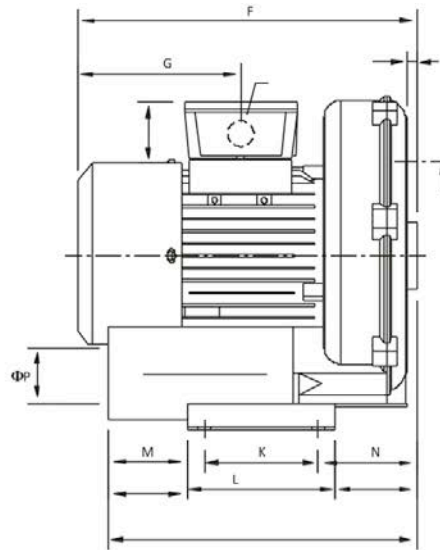
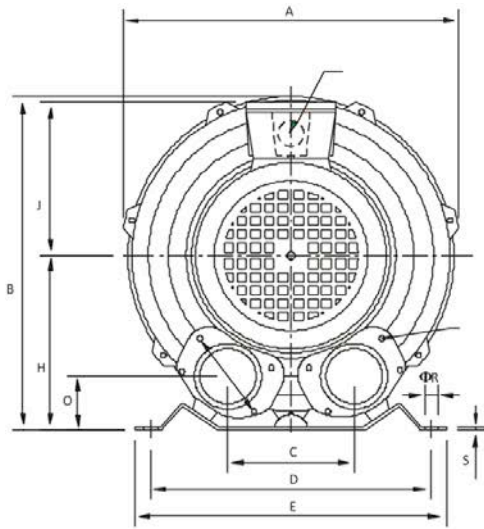
# Pressure Performance Curve ( 1 Phase )



# Vacuum Performance Curve ( 1 Phase )



# Single Stage – Dimensions

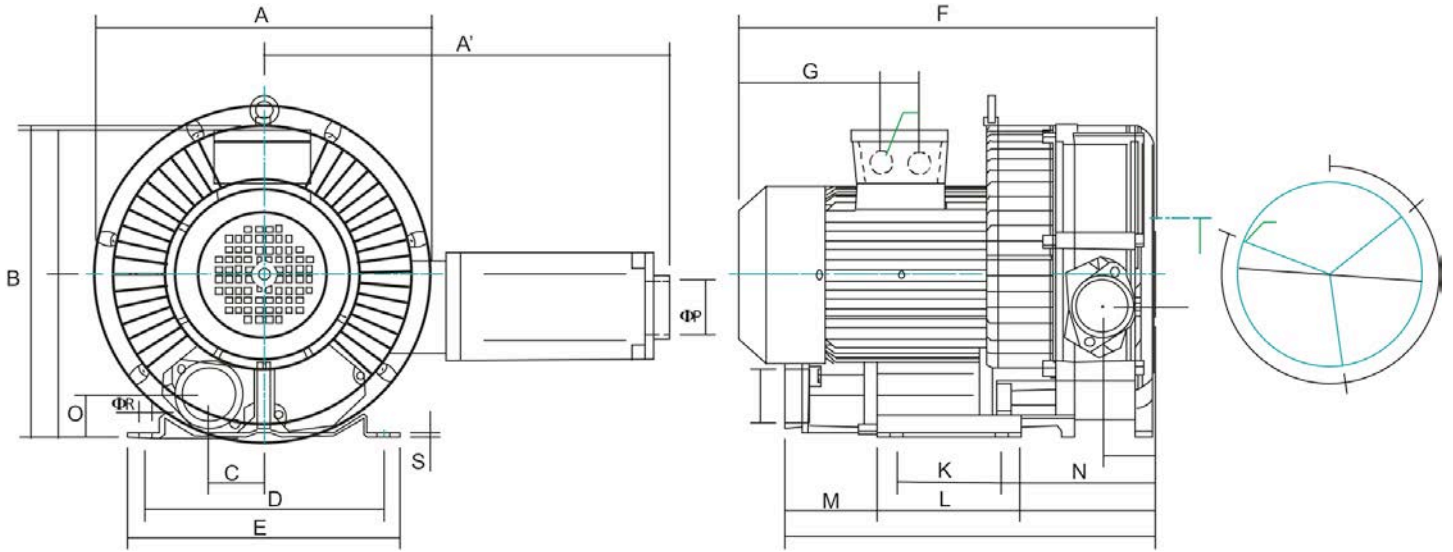


Model No.	A	B	C	D	E	F	G	H	J	K	L	M	N	O	S	OP	OR
AB-71	200	213	72	165	183	200	95	112	99	80	100	49	50	37	2.5	1"	12
AB-81	200	213	72	165	183	200	95	112	99	80	100	49	50	37	2.5	1"	12
AB-91	200	213	72	165	183	200	95	112	99	80	100	49	50	37	2.5	1"	12
AB-70	200	213	72	165	183	200	95	112	99	80	100	49	50	37	2.5	1"	12
AB-80	200	213	72	165	183	200	95	112	99	80	100	49	50	37	2.5	1"	12
AB-90	200	213	72	165	183	200	95	112	99	80	100	49	50	37	2.5	1"	12
AB-100	248	245	90	205	230	248	100	128	112	83	108	71	72	40	2.5	1.25"	10
AB-101	248	245	90	205	230	248	100	128	112	83	108	71	72	40	2.5	1.25"	10
AB-200	285	302	115	225	255	260	106	154	124	95	130	67	78	45	3	1.5"	12
AB-201	285	302	115	225	255	260	106	154	124	95	130	67	78	45	3	1.5"	12
AB-300	333	338	120	260	296	315	130	172	133	115	155	96	87	48	4	2"	14
AB-301	333	338	120	260	296	315	130	172	133	115	155	96	87	48	4	2"	14
AB-400	333	338	120	260	296	315	130	172	133	115	155	96	87	48	4	2"	14
AB-401	333	338	120	260	296	315	130	172	133	115	155	96	87	48	4	2"	14
AB-500	381	415	125	290	330	367	125	205	160	140	180	83	110	55	4	2"	15
AB-600	381	415	125	290	330	367	125	205	160	140	180	83	110	55	4	2"	15
AB-700	381	415	125	290	330	367	125	205	160	140	180	83	110	55	4	2"	15
AB-800	460	550	155	365	425	435	126	275	185	280	318	155	20	91	31	2.5"	16
AB-850	460	550	155	365	425	435	126	275	185	280	318	155	20	91	31	2.5"	16
AB-900	460	550	155	365	425	435	126	275	185	280	318	155	20	91	31	2.5"	16
AB-1000	460	550	155	365	425	435	126	275	185	280	318	155	20	91	31	2.5"	16
AB-1100	557	630	210	360	412	620	312	305	211	600	630	N/A	95	95	28	4"	16
AB-1200	557	630	210	360	412	620	312	305	211	600	630	N/A	95	95	28	4"	16
AB-1300	557	630	210	360	412	620	312	305	211	600	630	N/A	95	95	28	4"	16

All units are in millimeters



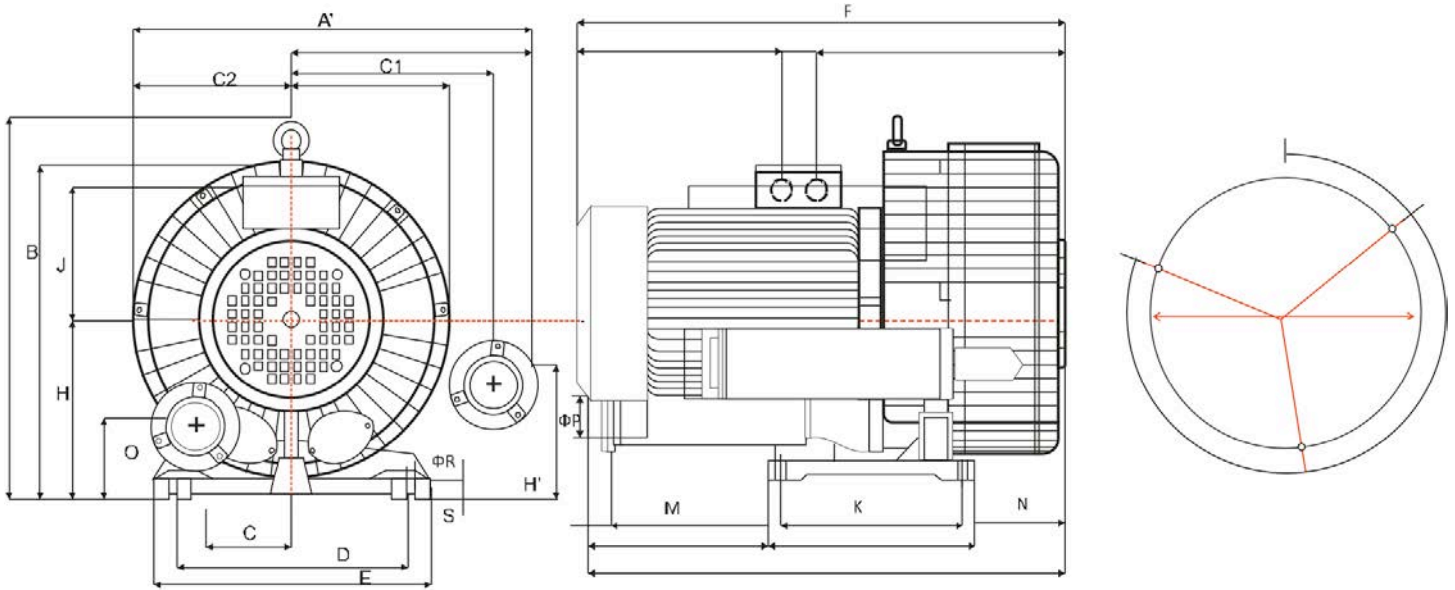
# Dual Stage – Dimensions



Model No.	A	B	C	D	E	F	G	H	J	K	L	M	N	O	S	OP	OR	A'
<b>AB-102</b>	293	272	45	205	230	310	100	128	112	83	108	56	136.5	40	2.5	1.25"	12	305
<b>AB-102/1</b>	293	272	45	205	230	310	100	128	112	83	108	56	136.5	40	2.5	1.25"	12	305
<b>AB-202</b>	293	272	45	205	230	310	100	128	112	83	108	56	136.5	40	2.5	1.25"	12	305
<b>AB-202/1</b>	293	272	45	205	230	310	100	128	112	83	108	56	136.5	40	2.5	1.25"	12	305
<b>AB-302</b>	321	315	57.5	225	255	389	133	154	133	95	130	54	152	45	3	1.5"	12	315
<b>AB-302/1</b>	321	315	57.5	225	255	389	133	154	133	95	130	54	152	45	3	1.5"	12	315
<b>AB-402</b>	321	315	57.5	225	255	389	133	154	133	95	130	54	152	45	3	1.5"	12	315
<b>AB-402/1</b>	321	315	57.5	225	255	389	133	154	133	95	130	54	152	45	3	1.5"	12	315
<b>AB-502</b>	376	340	60	260	296	450	120	175	159	115	155	102	172	48	4	2"	14	423
<b>AB-602</b>	376	340	60	260	296	450	120	175	159	115	155	102	172	48	4	2"	14	423
<b>AB-702</b>	376	340	60	260	296	450	120	175	159	115	155	102	172	48	4	2"	14	423
<b>AB-802</b>	426	420	114	290	330	562	333	198	185	140	180	173	200	85	4.5	2"	15	455
<b>AB-902</b>	426	420	114	290	330	562	333	198	185	140	180	173	200	85	4.5	2"	15	455
<b>AB-1002</b>	426	420	114	290	330	562	333	198	185	140	180	173	200	85	4.5	2"	15	455

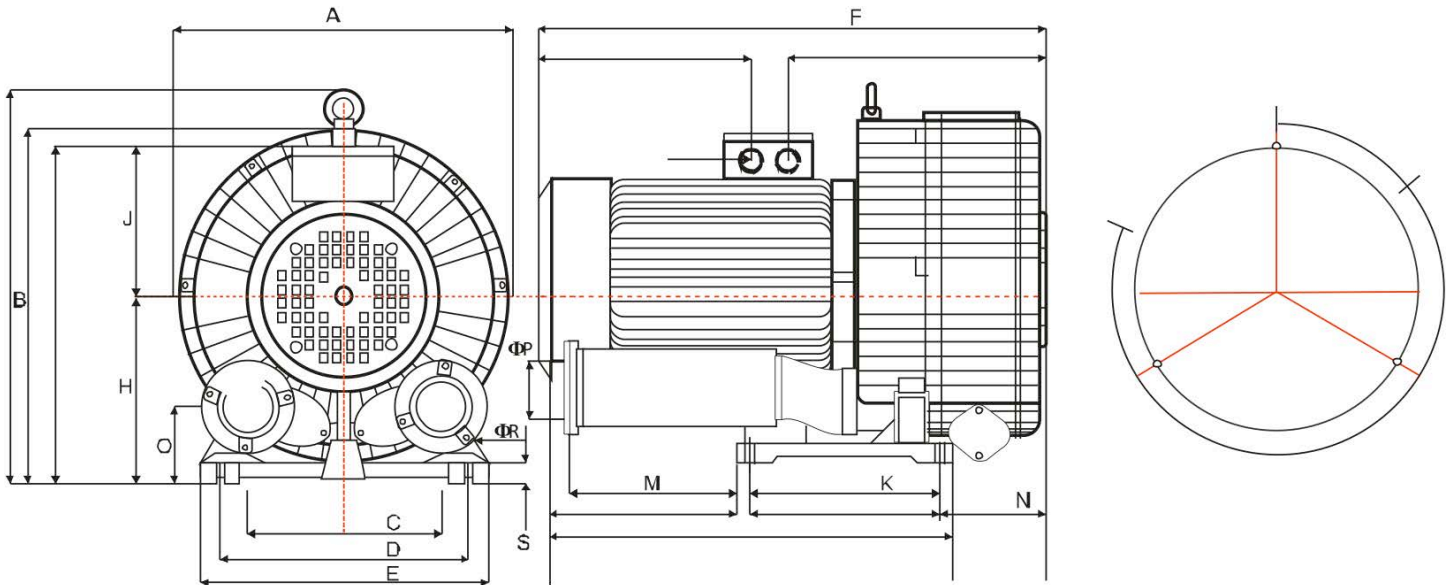
All units are in millimeters

# Double Stage – Dimensions



Model No.	A'	B	C	C1	C2	D	F	H	J	K	M	N	O	S	OP	OR	H'
AB-1102	615	503	144	307	243	365	747	275	211	280	262	155	112	31	2.5"	16	190
AB-1202	615	503	144	307	243	365	747	275	211	280	262	155	112	31	2.5"	16	190

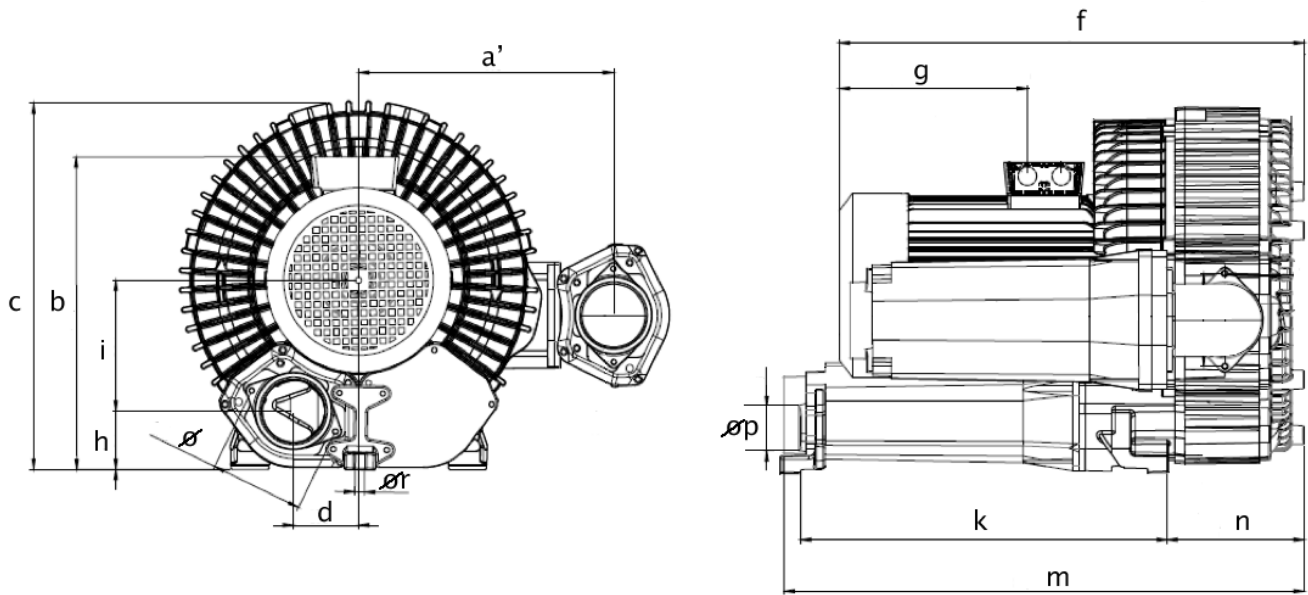
All units are in millimeters



Model No.	a	b	c	d	e	f	h	j	k	m	n	o	s	op	or
AB-1302	484	503	288	365	425	747	275	211	280	262	155	112	31	2.5"	16
AB-1402	484	503	288	365	425	747	275	211	280	262	155	112	31	2.5"	16
AB-1502	484	503	288	365	425	747	275	211	280	262	155	112	31	2.5"	16
AB-1602	484	503	288	365	425	747	275	211	280	262	155	112	31	2.5"	16

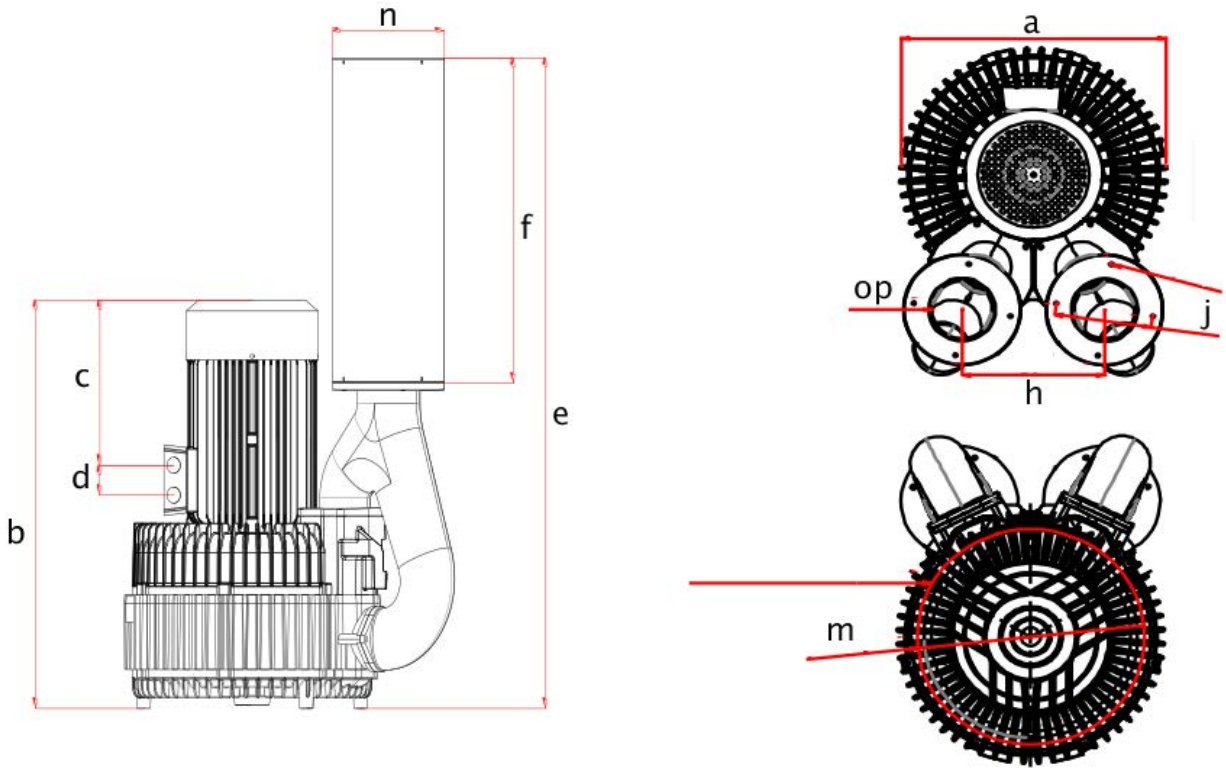
All units are in millimeters

# Double Stage – Dimensions



Model No.	a	b	c	d	f	g	h	j	k	m	n	o	or	op
AB-1702	410	510	590	105	750	305	94	304	600	843	230	150	16	4"
AB-1802	410	510	590	105	750	305	94	304	600	843	230	150	16	4"
AB-1902	410	510	590	105	750	305	94	304	600	843	230	150	16	4"

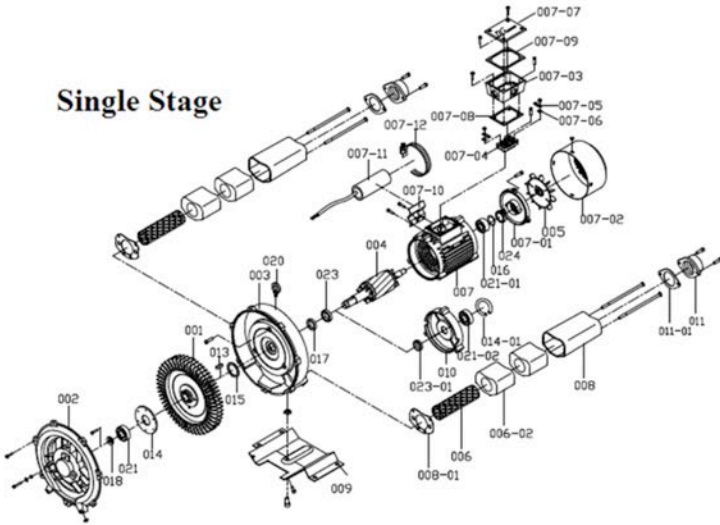
All units are in millimeters



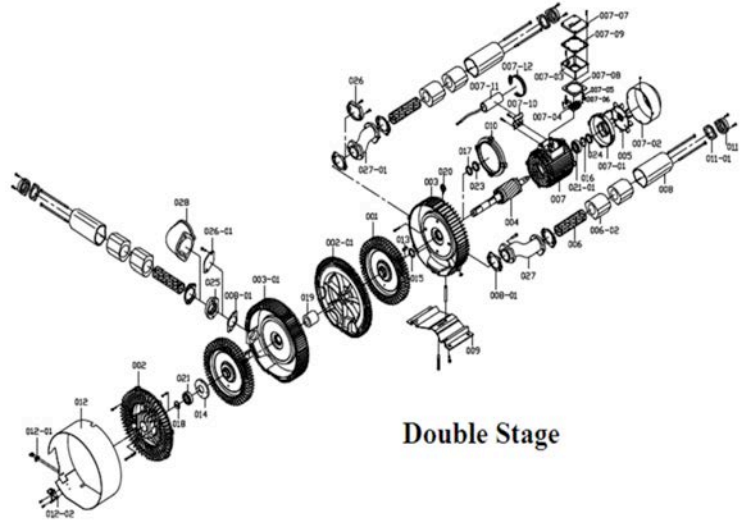
Model No.	a	b	c	d	e	f	h	j	m	n	op
AB-2002	578	754	305	55	1200	600	307	210	490	252	5"
AB-2102	578	754	305	55	1200	600	307	210	490	252	5"
AB-2202	578	754	305	55	1200	600	307	210	490	252	5"

All units are in millimeters

## Single Stage



## Double Stage



001	Impeller	008	Silencer housing	Single Stage only	
002	Blower cover	008-01	Silencer gasket	007-10	Capacitor mounting bracket
003	Blower housing	009	Mounting baseplate	007-11	Capacitor
004	Rotor	011	Inlet / Outlet flange	007-12	Steel clamp
005	Fan	011-01	Inlet / Outlet gasket	Water Proof only	
006	Silencer mesh pipe	013	Rotor pin	010	Middle motor cover
006-02	Silencer sponge	014	Bearing washer	014-01	Bearing washer
007	Motor	015	Washer	021-02	Front bearing
007-01	Motor Cover	016	Wear washer	023-01	VA-Seal
007-02	Fan cover	017	Seal	Double Stage only	
007-03	Terminal Box (J-Box)	018	Washer	025	Muffler mounting bracket
007-04	Wire Mounting block	020	Bronze hoist ring/lifting ring	026	Muffler mounting bracket gasket with screws
007-05	Wire connection jumper/bridge	021	Front bearing	026-01	Muffler mounting bracket gasket with screws
007-06	Fixed terminal	021-01	Rear bearing	027	Lateral pipe
007-07	Terminal box cover	023	Front oil seal	027-01	Middle motor cover
007-08	Terminal box gasket	024	Real oil seal	028	90 degree elbow
007-09	Terminal box cover gasket				

We also have complete Kits!

- Pre-Assembled Pressure Packages
- Pre-Assembled Vacuum Packages
- Maintenance Kits

Do you have a Filter Monitor Gauge?

- For Letting you know Automatically when to change your Dirty Filter, without the need to disassemble.

Let us know if you have any special requests such as:

- Anodizing- Protect the blower from oxidization internally
- Mechanical Seals- will deter ingress of gases and particles
- Sealed Bearings- run clean without the possibility of contamination
- Thermal Protectors- protect blower from overheating
- Tropicalization- protect the blower from oxidization externally
- 50/60 Hz- all blower motors come with dual frequency motors
- Retro-fit Kits - for bases and flanges are available
- 575 V- is available
- Vibration Isolators- are available

- Short lead times on all products.



#### Relief Valve: (Highly Recommended)

The purpose of the Relief Valve is to release the excess pressure build up, better known as "back-pressure." It is the back pressure that will cause the blower motor to overheat, and either burn out, or significantly reduce the life of the motor.



#### Check Valve: (Highly Recommended)

A check valve is a vital item, installed in support of automatic shutdown valves and safety devices. Its purpose is to prevent and protect against the consequences of unintended reverse flow (either a pressure or vacuum application). The Check Valve provides high integrity first-line defense in the event of unwanted reverse flow and operates in advance of, or in conjunction with safety devices. It is immediately responsive and fast acting in its closure, thereby maximizing protection to prevent or minimize the adverse effect of any back-flow.



#### Pressure / Vacuum Filter Canisters: (Highly Recommended)

The pressure and vacuum filter canisters keep clean, dry air going into your blower. It also keeps any air particles, water vapor, oil based contaminants, and other liquids from entering the blower which can cause damage to the blower and impeller. This can also be harmful to the motor and may cause overheating.



#### Enclosed Motor Starter: (Highly Recommended)

NEMA 4X, prewired START/STOP 3 wire control with through-the-cover overload RESET. Single phase or 3 phase models available. It includes an adjustable trip current and selectable manual or automatic reset. This is basically an on/off switch for your blower.

Variable Frequency Drives: (Highly Recommended)

A variable-frequency drive (VFD) is a system for controlling the rotational speed of an alternating current (AC) electric motor by controlling the frequency of the electrical power supplied to the motor.



External Silencer: (Optional)

Their purpose is to reduce the decibels (DB's) or noise reduction generated by incoming/exhaust air. The Silencer can reduce noise by up to 30 decibels, depending on your application, and are great for indoor or outdoor noise reduction.



Pressure Gauge: (Optional)

Pressure gauges are among the most used instruments in a customer's application. They easily show the pressure or vacuum in the line so you know that your system is at optimum performance. The gauge indicates the pressure (or pressure drop) in the process.



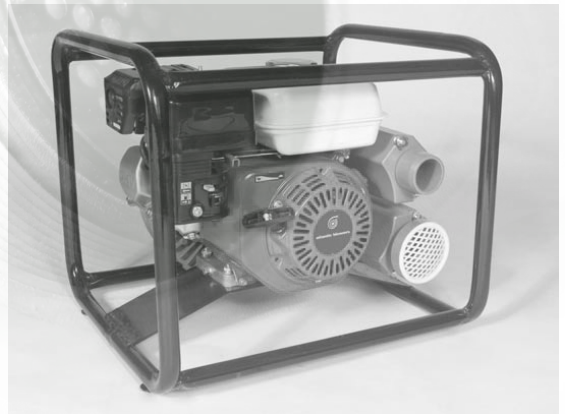
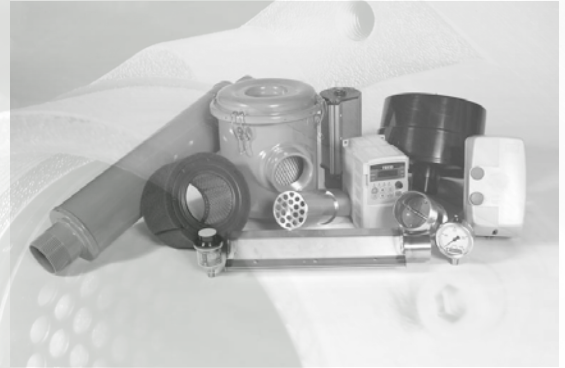
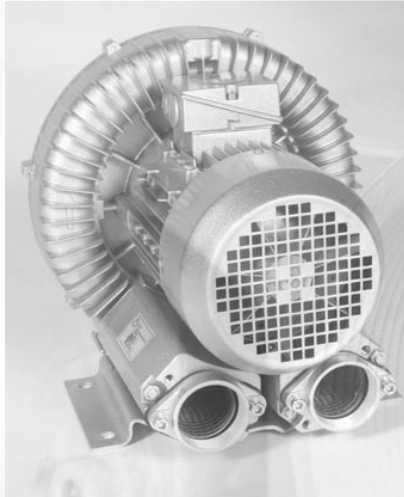
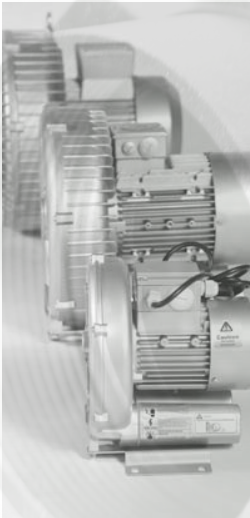
Filter Monitor Gauge: (Optional)

This gauge shows the amount of filter element restriction, and indicates when you need to change your filter to maximize the performance of your equipment, without ever having to remove the filter canister.



## About Us

Atlantic Blowers' products are engineered to perform, combining quality manufacturing with innovative engineering in order to ensure reliability and cost-effective operation. Specializing in the innovation and distribution of Regenerative Blowers, Centrifugal Blowers, Air bubble Diffusers, and Air Knife Drying systems, Atlantic Blowers' high quality manufacturing is top priority. Atlantic Blowers' products meet the criteria of the many unique and specific applications of our highly valued customers. Through research and development we are continuously moving forward, searching for new ways to improve our products and fill our customers specific needs. With customer satisfaction being of upmost importance, we stand by our integrity as one of our most valuable assets. Atlantic Blowers' Sales Engineers are friendly and helpful in order to better satisfy our clientele, y se habla español. Atlantic Blowers' compact and lightweight designs provide impressive levels of pressure, vacuum, and flow with low running costs. At Atlantic Blowers, we have the expertise necessary to match our clients with the appropriate product for their application at an economic price. You have tried the rest, now experience the best.





1225 Capital Dr., Suite 100, Carrollton, Texas 75006, USA

Phone: (214) 233-0280

Fax: (214) 233-0281

**Email: [sales@atlanticblowers.com](mailto:sales@atlanticblowers.com)**